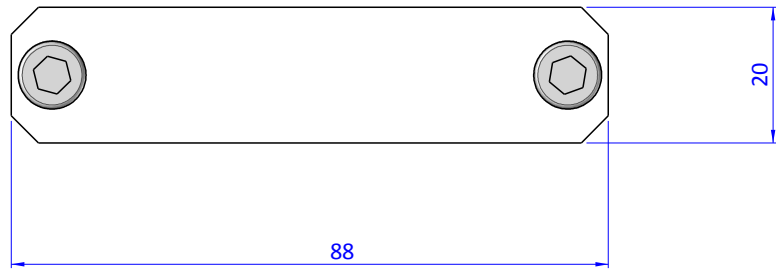
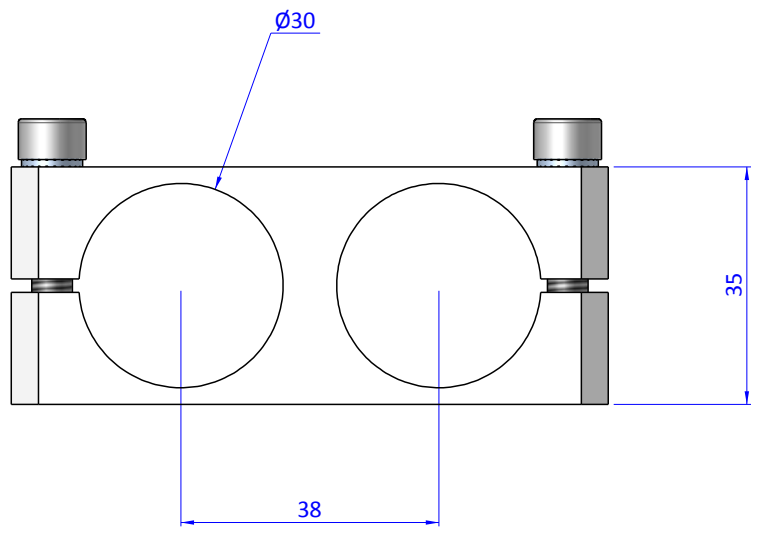
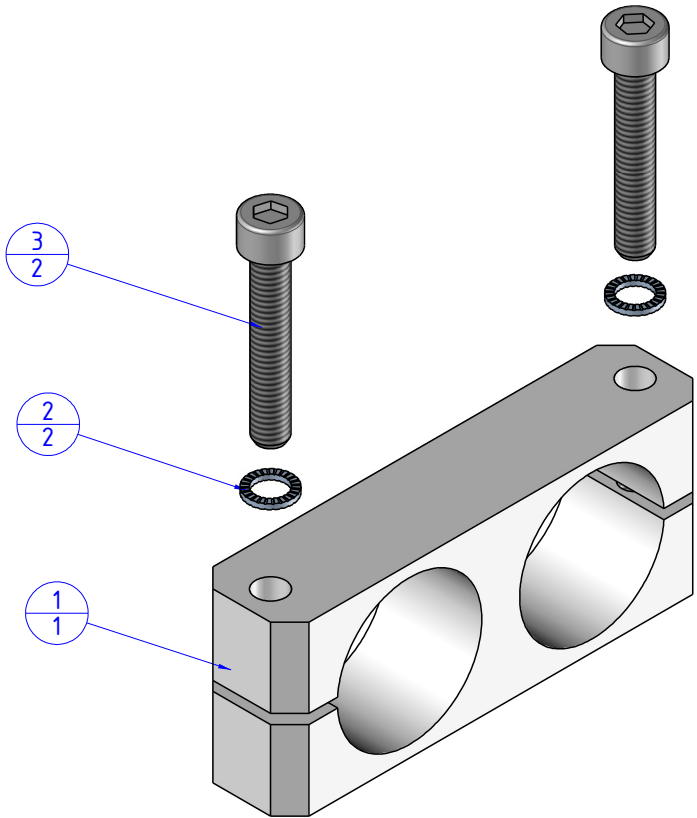


THE PROPERTY OF THE DRAWING IS ESTABLISHED BY LAW. IT IS FORBIDDEN TO PRODUCE OR SHOW IT TO THIRD PARTY, WITHOUT A WRITTEN AGREEMENT.

Item	Name	Q.ty
1	PKS.3030.38	1
2	R.6.SCH	2
3	V.TCE6x35	2



Format A3
UNI 936-76

FP SERVICES AUTOMATION		DESIGNED FROM FPSERVICES		REVIEW A
GENERAL TOLERANCE UNI - ISO 2768 CLASSE f		DATE 06/02/2019	WEIGHT 0,103kg	
		CODE CA.PKS.3030.38		